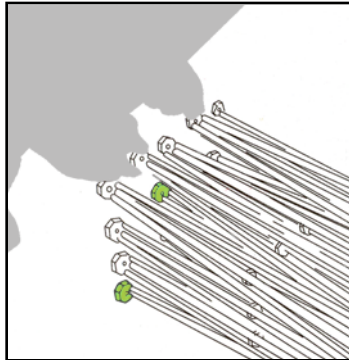
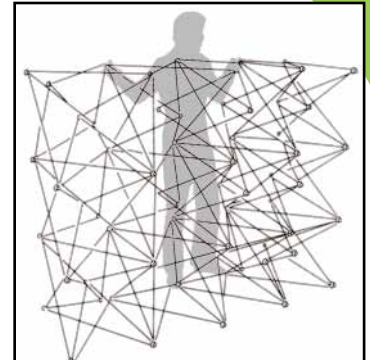


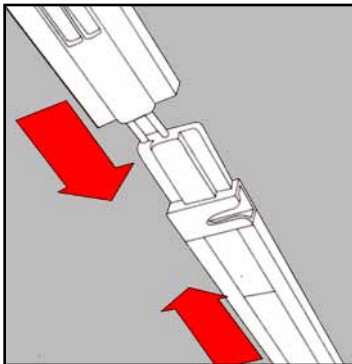
Open case and remove the frame, channel bars, and lights.



Place frame on floor. Start with green hubs facing you and a row of green hubs along the floor.

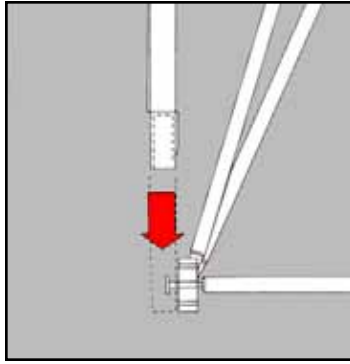


Expand frame until it snaps into its full height position.

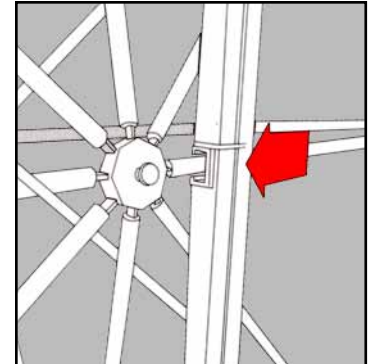


Unfold inter-locking channel bars and assemble by sliding the sections together.

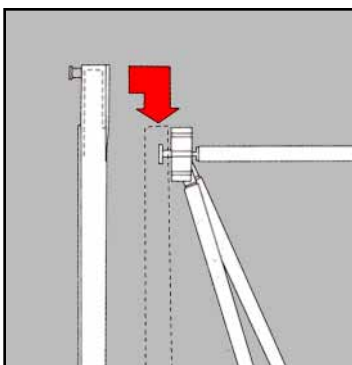
The channel bars with Velcro dots attach to the outside hubs.



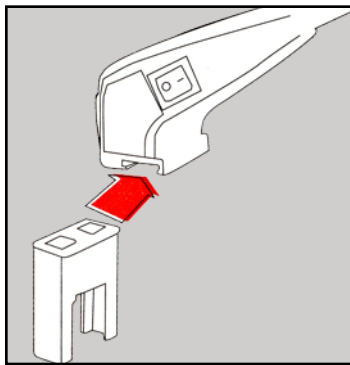
Bottom|Down: Slide channel bar (see "Down" sticker) over steel connector on green hub.



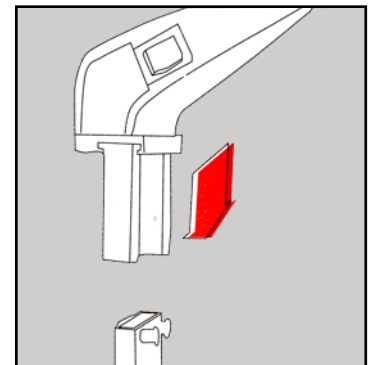
Middle|Sideways: Guide side slot of channel bar onto steel connectors.



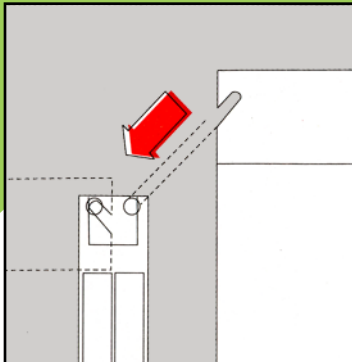
Top|Up and Down: Lift the top section of channel bar and slide over top steel connector. Repeat steps for remaining channel bars.



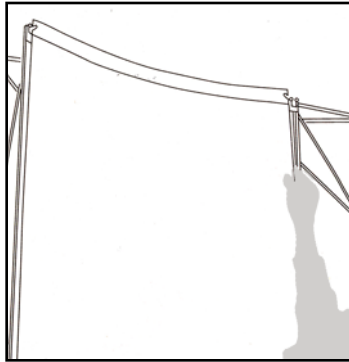
Slide U-mount light connector on halogen light (10 ft. and table top display).  
Optional: Use X-mount connector instead (8 ft. display).



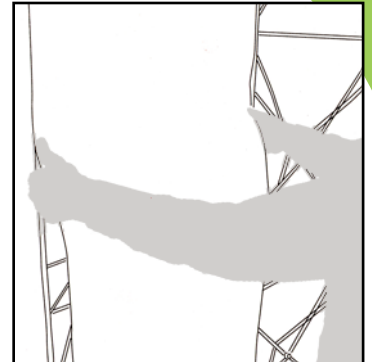
Slide U-mount light connector over channel bar with "inside" grooves facing forward.



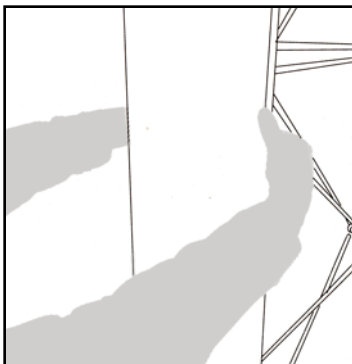
Hang left front graphic or fabric panel onto pins.



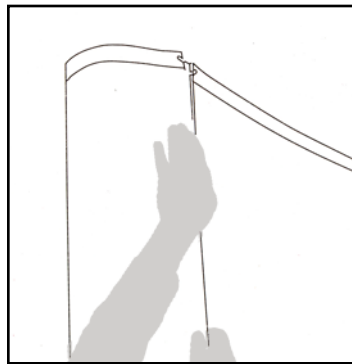
Hang right front graphic or fabric panel onto pins.



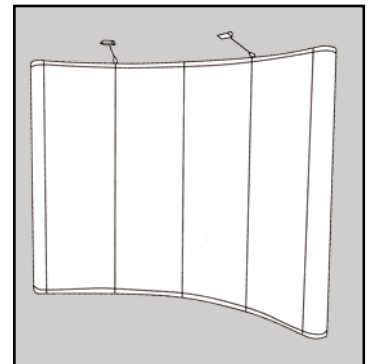
Position panel and attach to channel bar magnet.



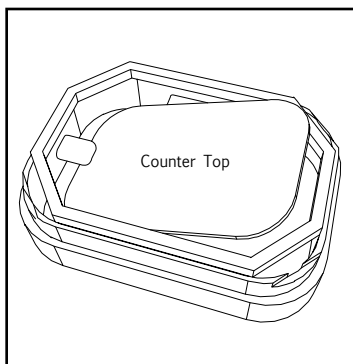
Hang left end cap panel on pins.



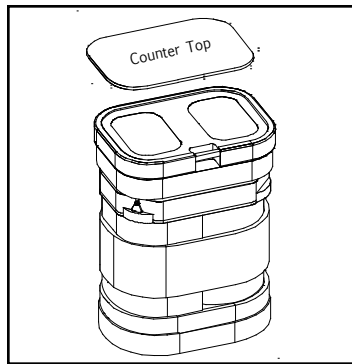
Fasten end cap panel by simultaneously attaching front and back to channel bars and Velcro dots.



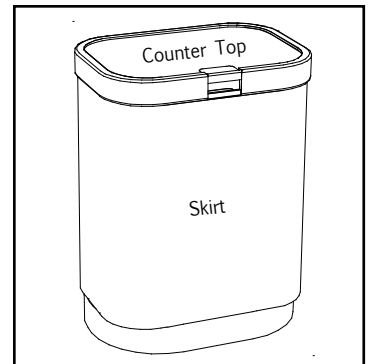
Repeat steps with other panels.



Optional: Case-to-counter conversion kit.  
Turn lid over and remove counter top.

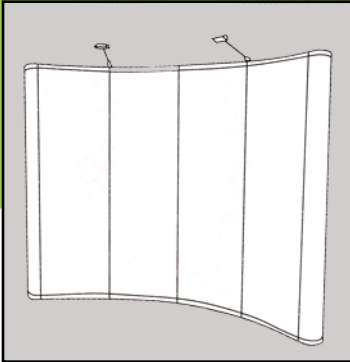


Place lid on top of case and place counter top on top of lid.

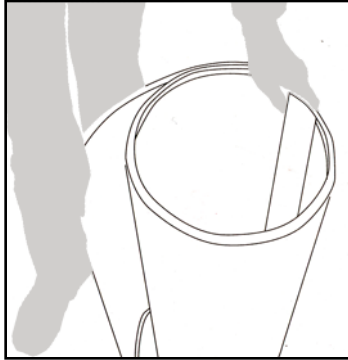


Wrap skirt around outside of case using attached Velcro.

**Don't forget to smile and have a great show!**



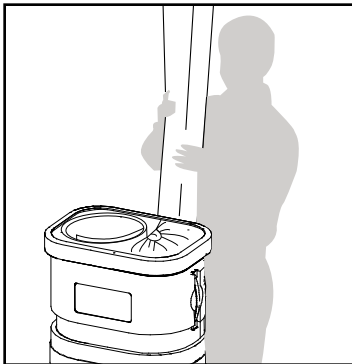
Disassemble Quadro EO by removing panels, lights, and channel bars and collapsing frame.



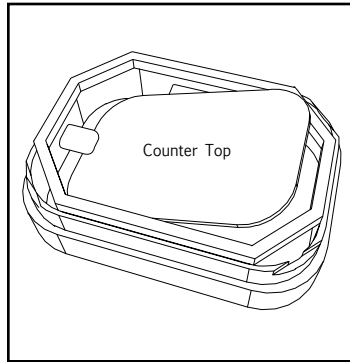
Roll up graphic or fabric panels one-by-one. Place graphics on the outside and magnet strips on the inside.



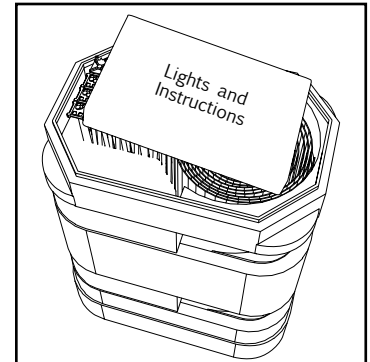
Place rolled up panels one-by-one in the case.



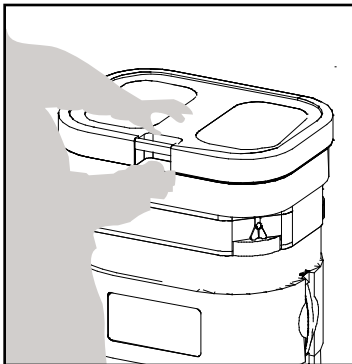
Place frame and channel bars in separate bags and slide into case.



Turn lid over and insert counter top for optional case-to-counter conversion.



Place lights in box and lay box on frame and panels.



Replace top and fasten all locks.

### PANEL SPECIFICATIONS:

#### Full Height Front Panel

Cut/Print Size - 29-7/16" W x 89-3/4" H

Finished Size (w/ hanger and kicker) - 29-7/16" W x 92-3/4" H

#### Full Height End Cap Panel

Cut/Print Size - 15" W x 89-3/4" H

Finished Size (w/ hanger and kicker) - 15" W x 92-3/4" H

#### Table Top Front Panel

Cut/Print Size - 29-7/16" W x 59-1/8" H

Finished Size (w/ hanger and kicker) - 29-7/16" W x 62-1/8" H

#### Table Top End Cap Panel

Cut/Print Size - 15" W x 59-1/8" H

Finished Size (w/ hanger and kicker) - 15" W x 62-1/8" H



Quadro EO Rectangle Case



Quadro EO Oval Case



Quadro EO Oval Case with lid removed



Light Connection (U-mount) for 10 ft. and table top frames



Light Connection (X-mount) for 8 ft. frame



EO Channel Bars in case



Example of 8 ft. Quadro EO kit with graphic panels and case-to-counter conversion.

**The Classic Quadro EO Lifetime Warranty** covers the frame for the life of the exhibit. Should the frame ever fail to perform properly, we will replace or repair the frame at our discretion. All remaining parts are covered against defective materials or workmanship as long as the exhibit is in service.

The warranty does not cover damages due to abuse, misuse, or shipping.